

Part number

# CAP 06 LS229



## Brief description:

surface mounting housings with single lever, size "44.27", metal cover, Pg29 x 2, metal version, IP65

### Product description

|              |   |
|--------------|---|
| Version      | metal version                               |
| Series       | surface mounting housings with single lever |
| Product type | with 1 lever                                |
| Variant      | metal cover                                 |
| Style        | high construction                           |
| Family       | CLASS enclosures                            |
| Size         | size "44.27"                                |

### Technical data

|                         |          |
|-------------------------|----------|
| Material                | metal    |
| IP degree of protection | IP65     |
| Cable entry             | Pg29 x 2 |

### Further technical details

|        |          |
|--------|----------|
| Weight | 305,00 g |
|--------|----------|

### Approvals / Standards

|              |   |
|--------------|---|
| Quality mark |  (type:4/4X/12),  , EAC |
| Conformity   | CQC, CE   |

### General ordering information

|               |               |
|---------------|---------------|
| EAN13 code    | 8015747007474 |
| Tariff number | 85369095      |

### Packaging Information

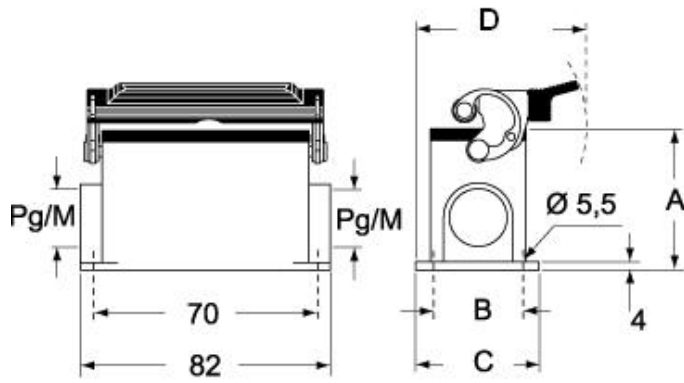
|                           |                       |
|---------------------------|-----------------------|
| Packaging length          | 475,00 mm             |
| Packaging height          | 210,00 mm             |
| Packaging width           | 140,00 mm             |
| Packaging weight          | 3,05 kg               |
| Packaging volume          | 13,97 dm <sup>3</sup> |
| Packaging description     | Carton box            |
| Packaging quantity        | 10 Pcs                |
| Packaging EAN code        | 8015747236133         |
| Sub-packaging weight      | 1,53 kg               |
| Sub-packaging description | Plastic pakaging      |
| Sub-packaging quantity    | 5 Pcs                 |
| Sub-packaging EAN barcode | 8015747236140         |

Part number

# CAP 06 LS229

Catalogue drawings

**CHP L CAP L - MHP L MAP L**



**CHP LS CAP LS - MHP LS MAP LS**

